



TPG Metal Oxide DC Surge Arrester

Description

TPG Metal Oxide DC Surge Arresters provide surge protection for DC distribution system in transit, mining and industrial applications with maximum operating voltages of 1000VDC, 1300VDC and 2000VDC.

Design and Operation

TPG Metal Oxide DC Surge Arresters utilize metal oxide technology which has been proven in distribution, intermediate and station class arresters for many years. They are designed to operate in temperatures not exceeding 60° C, and average temperature of 40° C. Mounting should be as close to protected device as practical. For best protection, the arrester should be connected to a ground appropriate for anticipated surge levels. The arrester selection is based on maximum continuous line-to-ground operating voltage (MCOV).

TPG Metal Oxide DC Surge Arresters are of fully over-molded construction, built for the rugged outdoor environment associated with traction power systems.

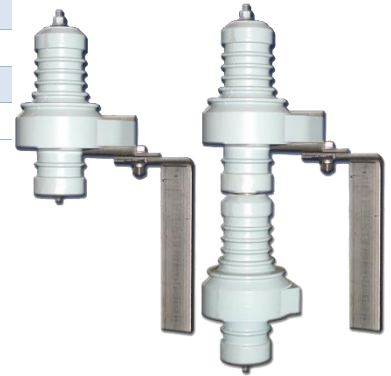
STANDARD FEATURES

Impact resistant UV stabilized filled epoxy with the element encapsulated in elastomer

3/8-16 stainless steel connection studs

Stainless steel mounting hardware

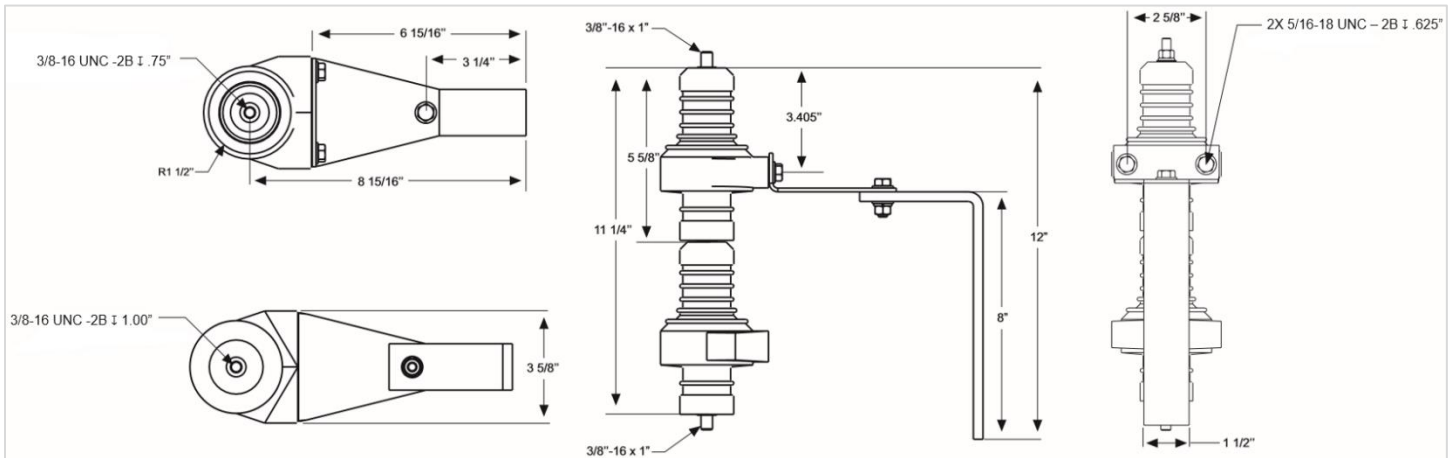
Designed to separate below mounting in the event of rupture



MODELS & SPECIFICATIONS

Arrester	MCOV	Energy Discharge Capability
1000VDC	970 MCOV	2.4kJ for currents 500A or less
1300VDC	1200 MCOV	2.3kJ for currents 500A or less
2000VDC	1940 MCOV	4.8kJ for currents 500A or less

MECHANICAL INFORMATION



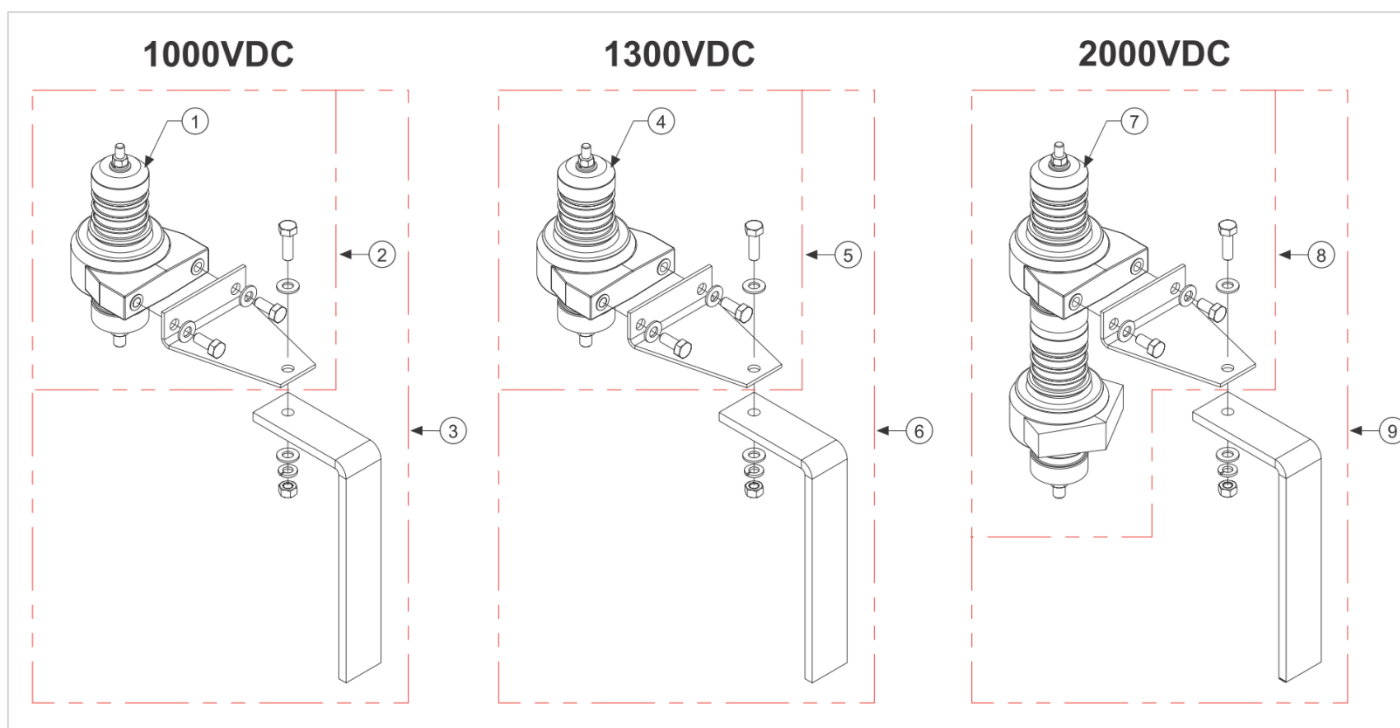
Manufactured in the United States of America.



ORDERING INFORMATION

Item	Part No.	Item Description
1	0580	1000VDC Surge Arrester
2	0586	1000VDC Surge Arrester with Surface Mount Kit
3	0585	1000VDC Surge Arrester with Surface and Pole Mount Kit
4	0728	1300VDC Surge Arrester
5	0730	1300VDC Surge Arrester with Surface Mount Kit
6	0729	1300VDC Surge Arrester with Surface and Pole Mount Kit
7	0582	2000VDC Surge Arrester
8	0588	2000VDC Surge Arrester with Surface Mount Kit
9	0587	2000VDC Surge Arrester with Surface and Pole Mount Kit
10	0731	Pole Mount Kit
11	0740	Surface Mount Kit

[*] Note that the ground cable should be connected to the bottom side of the arrester.



Contact us

- Email Christine Poll at cpoll@tpgexperts.com or call us at (919) 432 1810 for more information.